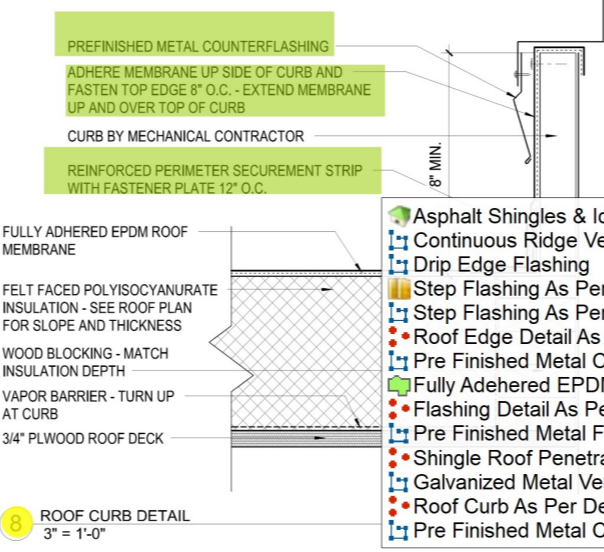
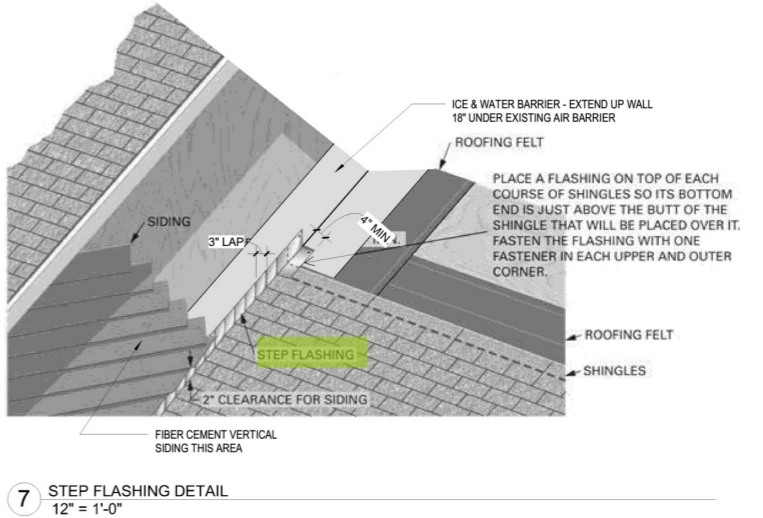
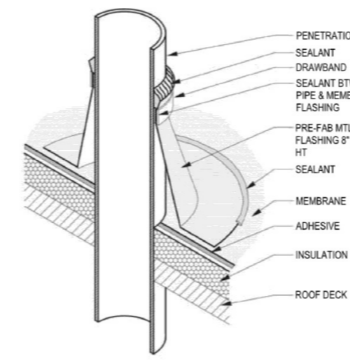
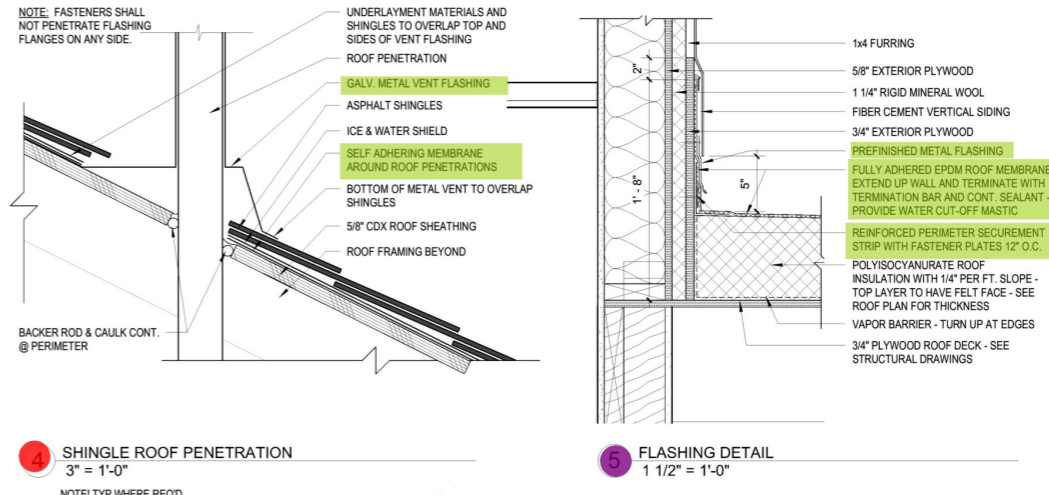
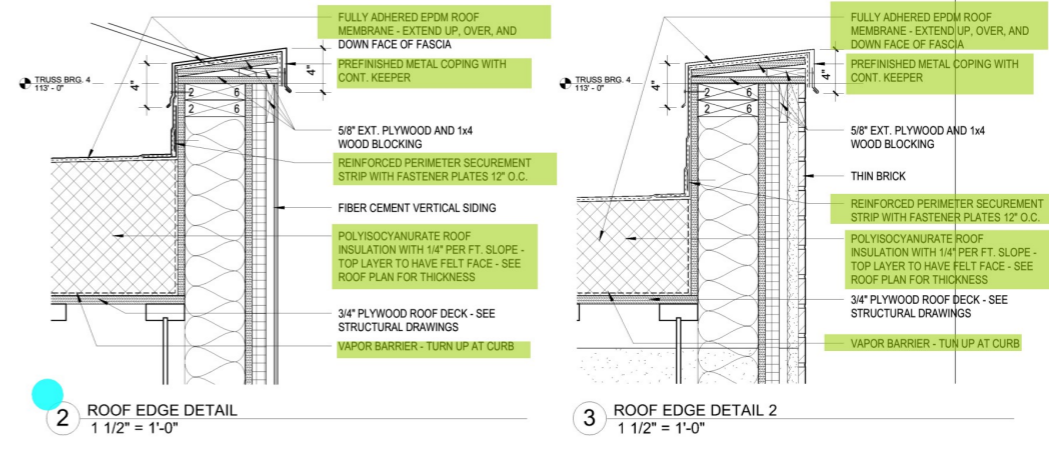
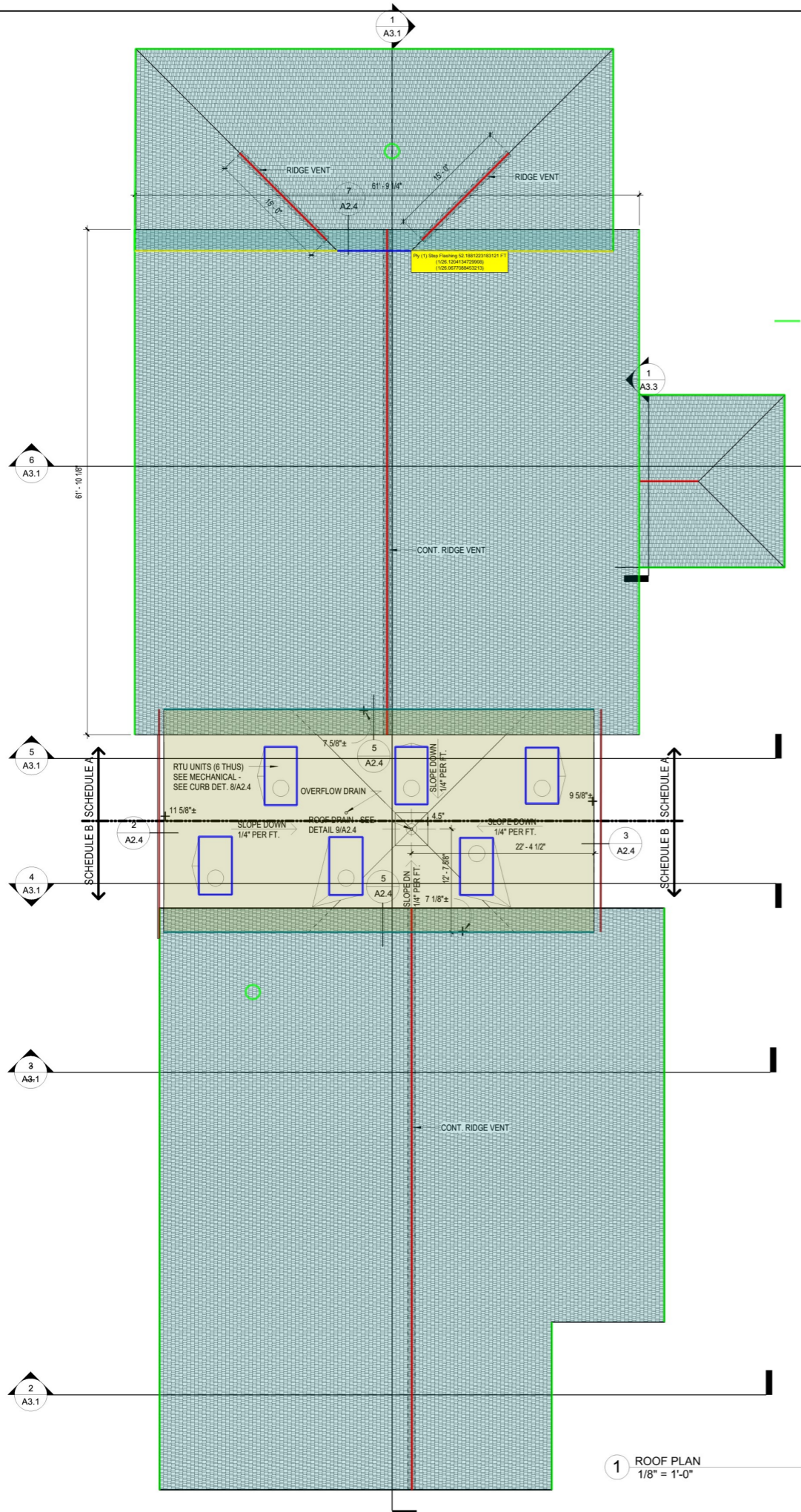


ROOF NOTES

- CONTRACTOR TO FIELD VERIFY ALL EXISTING CONDITIONS AND DIMENSIONS PRIOR TO START OF WORK OR ORDERING MATERIALS. DIMENSIONS ARE PLUS/ MINUS.
- PROVIDE CRICKETS ON UP SLOPE OF ALL MECHANICAL UNITS, PENETRATIONS, ETC. REFER TO TYPICAL ROOF CURB DETAIL FOR ADDITIONAL INFORMATION.
- LIMIT TRAFFIC OVER COMPLETED WORK. IF NECESSARY PROVIDE PROTECTION. PROTECTION SHALL INCLUDE: 1" RIGID INSULATION UNDER 3/4" PLYWOOD SHEATHING. CONTRACTOR SHALL REPAIR ANY PORTION OF ROOF DAMAGED DURING CONSTRUCTION AT NO COST TO OWNER.
- \oplus INDICATES THICKNESS OF POLYISOCYANURATE INSULATION. "X"
- \otimes INDICATES 4' x 4' ROOF SUMP AT ROOF DRAINS. SLOPE INSULATION DOWN TO ROOF DRAIN WITH 1/2" PER FT. SLOPE.

NEW ROOF CONSTRUCTION

3/4" PLYWOOD DECK
 VAPOR BARRIER - TURN UP AT EDGES
 POLYISOCYANURATE INSULATION - TOP LAYER
 FELT FACED - SEE ROOF PLAN FOR SLOPE
 AND THICKNESS
 FULLY ADHERED 60 MIL EPDM ROOF MEMBRANE
 R-VALUE ROOF 37.79



Item	Quantity
Asphalt Shingles & Ice & Watershield Underlayment	10,276.6 SQ FT
Continuous Ridge Vent W/ Flashing	170.2 FT
Drip Edge Flashing	430.5 FT
Step Flashing As Per Detail (7/ A-2.4)	52.2 FT
Step Flashing As Per Detail (7/ A-2.4)	9.0 FT
Roof Edge Detail As Per Detail (2,3/ A-2.4)	1.0
Pre Finished Metal Coping W/ Continuous Keeper & Reinforced Perimeter Securement Strip W/ Fastener Plate @ 12" O.C....	55.3 FT
Fully Adehered EPDM Roof Membrane & Polyisocyanurate Roof Insulation & Vapor Barrier	1,434.3 SQ FT
Flashing Detail As Per Detail (5/A2.4)	1.0
Pre Finished Metal Flashing & Reinforced Perimeter Securement Strip W/ Fastener Plate @ 12" O.C. & (1'-0" W) Fully Adh...	105.3 FT
Shingle Roof Penetration As per Detail (4/ A4.2)	1.0
Galvanized Metal Vent Flashing & Self Adhering Membrane Around Roof Penetrations & Backer Rod and Caulk @ Parameter	14.2 FT
Roof Curb As Per Detail (8/ A2.4)	1.0
Pre Finished Metal Counter Flashing & Reinforced Perimeter Securement Strip W/ Fastener Plate @ 12" O.C. & (0'-8" W) ...	132.6 FT



306 W. Superior St.
 Suite 1600
 Duluth, MN 55802
 218.727.1330 (phone)
 218.727.1338 (fax)
 www.meyergroupduluth.com

I HEREBY CERTIFY that this plan, specification or report was prepared by me or under my direct supervision and that I am a duly Licensed Architect under the laws of the State of Minnesota.
 Signature: *Tim Meyer*
 Typed or Printed Name: **TIM MEYER**
 Date: 6.18.2020 Reg. No.: 21619

No.	Description	Date

CITY OF BARNUM

LIQUOR STORE CITY OFFICES COMMUNITY CENTER & DETAILS

19-006.1
 5/20/2020
 EJS
 TLM